

LineGard® 15 Amp In-Line Series GFCI

- Bright LED power indicator
- Recessed interface buttons reduce damage and nuisance tripping from rough service
- High strength polycarbonate housing
- Class A cULus 943 listed with load side connector assemblies
- NEMA 3R rated (indoor / outdoor use)
- Assembly is rated for 15 amps / 120 VAC
- Available in automatic or manual reset configurations¹
- Available with single or tri-tap plug assembly
- 2 Year manufacturer's warranty

Product Description:

The LineGard® 15 Amp In-Line Series is a ground fault circuit interrupter designed and manufactured by North Shore Safety, Ltd., a leader in innovative safety products. The 15 amp PGFI product is rated at 120 VAC and available in either manual (safe start) or automatic reset configuration.

Standard offerings include products geared for maintenance repair organizations (MRO), original equipment manufacturers (OEM) or general portable power applications. MRO products are supplied with heavy-duty 12/3 conductor high flex (indoor/outdoor) safety yellow cable (SJTW type) capable of withstanding heavy trade or industrial use. OEM products are configured with robust 14/3 conductor (indoor/outdoor) black cable (SJTW type) for integration into trade related equipment. All products are industrial/trade grade tough and are backed by a 2 year manufacturer's warranty. These devices meet the requirements of OSHA 29 CFR 1926.404(b)(1)(ii) & OSHA 29 CFR 1926.405(a)(2)(ii)(G) and additionally meet the requirements of NEC 590.6(a) and (b).

Specifications:

Listing Type:	cULus Listed, Class A UL 943 CSA 22.2 No. 144
Rated Supply Voltage:	120VAC
Rated Current:	Up to 15 Amps or rating of wiring device and/or cable
Trip level, Class A:	5mA +/- 1mA (UL 943)
Operating frequency:	60 Hz
Reset type ¹ :	Automatic or manual
Ground Trip Current:	4 - 6 mA
Overload Current:	90 Amps@125VAC
Insulation Voltage:	1,500 VRMS - 1 minute
Endurance Operations:	3000 operations

* Note: 1. Manual configuration should be specified if automatic start-up after power restoration of circuit power creates an unsafe condition.

2. Integrated or replacement cable must be indoor/outdoor 3-conductor cable of type ST, SJT, SE, SJE, SO or SJO



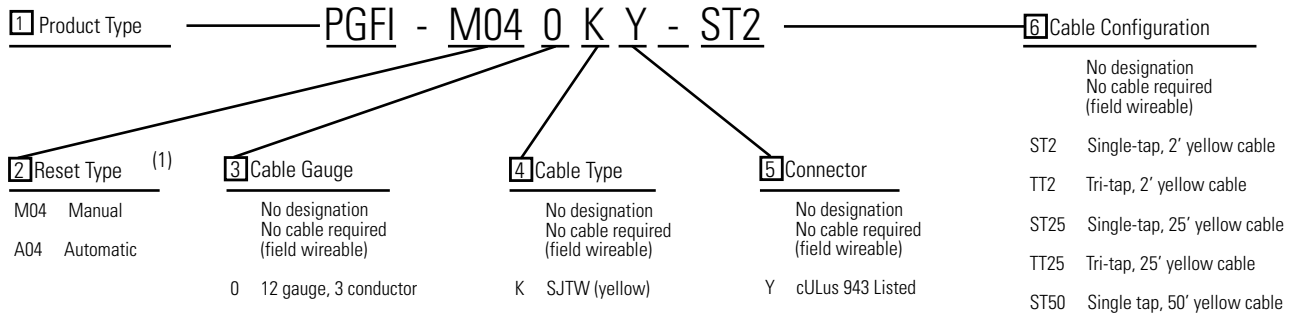
Related Codes:

- Confined space
OSHA 29 CFR 1926.404 (b)(1)(ii) &
OSHA 29 CFR 1926.405 (a)(2)(ii)(G)
- Construction sites
(NEC 590.6)
- Commercial Garages
(NEC 511.12)
- Outdoor signs
(NEC 600.10)
- Fountains and water displays
(NEC 680.58)
- Spa and hot tubs
(NEC 680.40)
- Marinas and boat yards
(NEC 555.3)

Application Opportunities:

- Electrical wet locations
- Power generators
- Agricultural equipment
- Portable power skilled trade
- Outdoor electrical equipment
- Cement cutting equipment
- Portable electric heaters
- Submersible pumps
- Pipeline heaters
- Automotive garages
- Industrial part washers
- Outdoor signage
- Vending equipment
- Production assembly power

ORDERING EXAMPLE:



*Note: 1. Manual configuration should be specified if automatic power-up, after power restoration of circuit power, could create an unsafe condition.
2. Integrated or replacement cable must be indoor/outdoor 3-conductor cable of type ST, SJT, SE, SJE, SO or SJO
3. Custom cord sets are available. Please consult Airpax for other options

Single Tap (SJTW)



Tri-Tap (SJTW)

